

LUMOS

MADE IN  
USA  
\*\*\*

SolarPort  
Free fuel for life

# System Overview

The **SolarPort** changes everything. A **SolarPort** is like having your own gas pump where the fuel is free, never runs out and has no emissions.

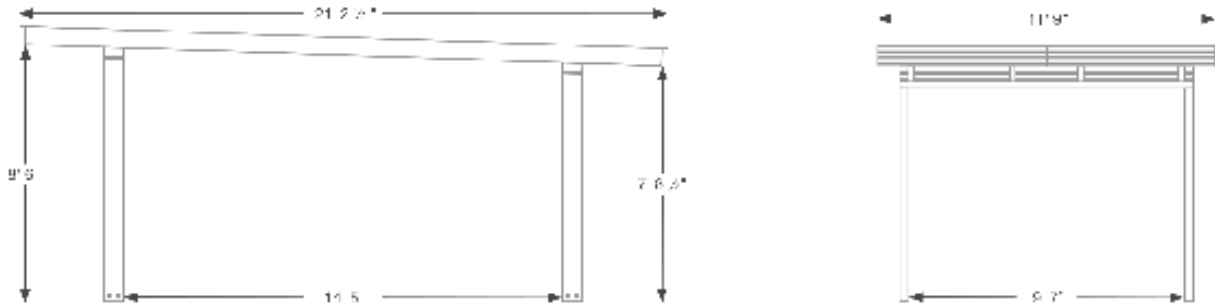
According to the US Department of Transportation, Americans drive on average, 13,476 miles per year, or 36.92 miles per day. Using the average EV's energy consumption, this translates to about 11.81 kWh per day, 353.3 kWh per month and 4,310.65 kWh per year.

Check out the table below to get an idea how much energy a **SolarPort** will produce at your location

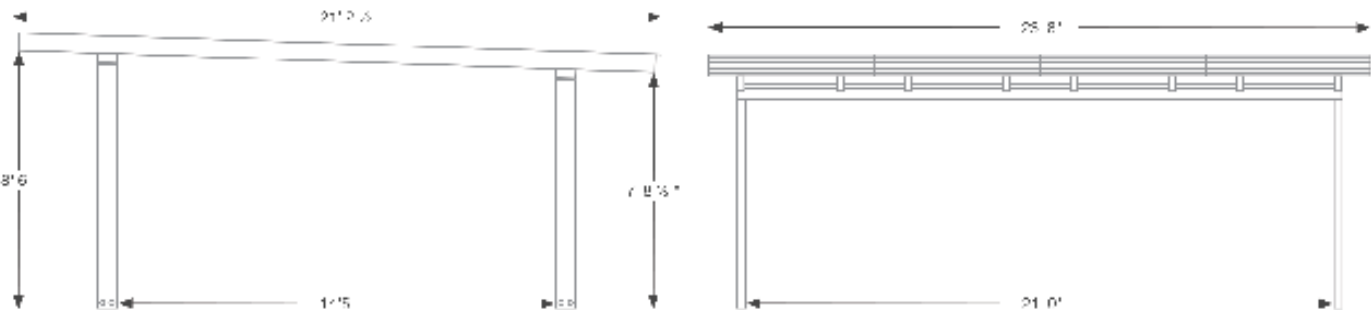
ESTIMATED ANNUAL PRODUCTION (KWH)								
	SYSTEM SIZE (W)	LOS ANGELES	MIAMI	DENVER	AUSTIN	ATLANTA	BOSTON	SEATTLE
SolarPort Single	4,260	6,749	6,398	6,286	6,042	5,770	5,174	4,356
SolarPort Double	8,520	13,498	12,796	12,572	12,084	10,348	10,348	8,712

A **SolarPort** can produce all of the energy you need to drive just from the sun. How cool is that?

## SolarPort Single



## SolarPort Double



## DETAILS

**SolarPort Single:** (12) Vision S60 355w Modules  
System Size 4.26kW

**SolarPort Double:** (24) Vision S60 355w Modules  
System Size 8.52kW

## OPTIONS

- LED Lighting
- Gutter and Downspout

## COLORS

