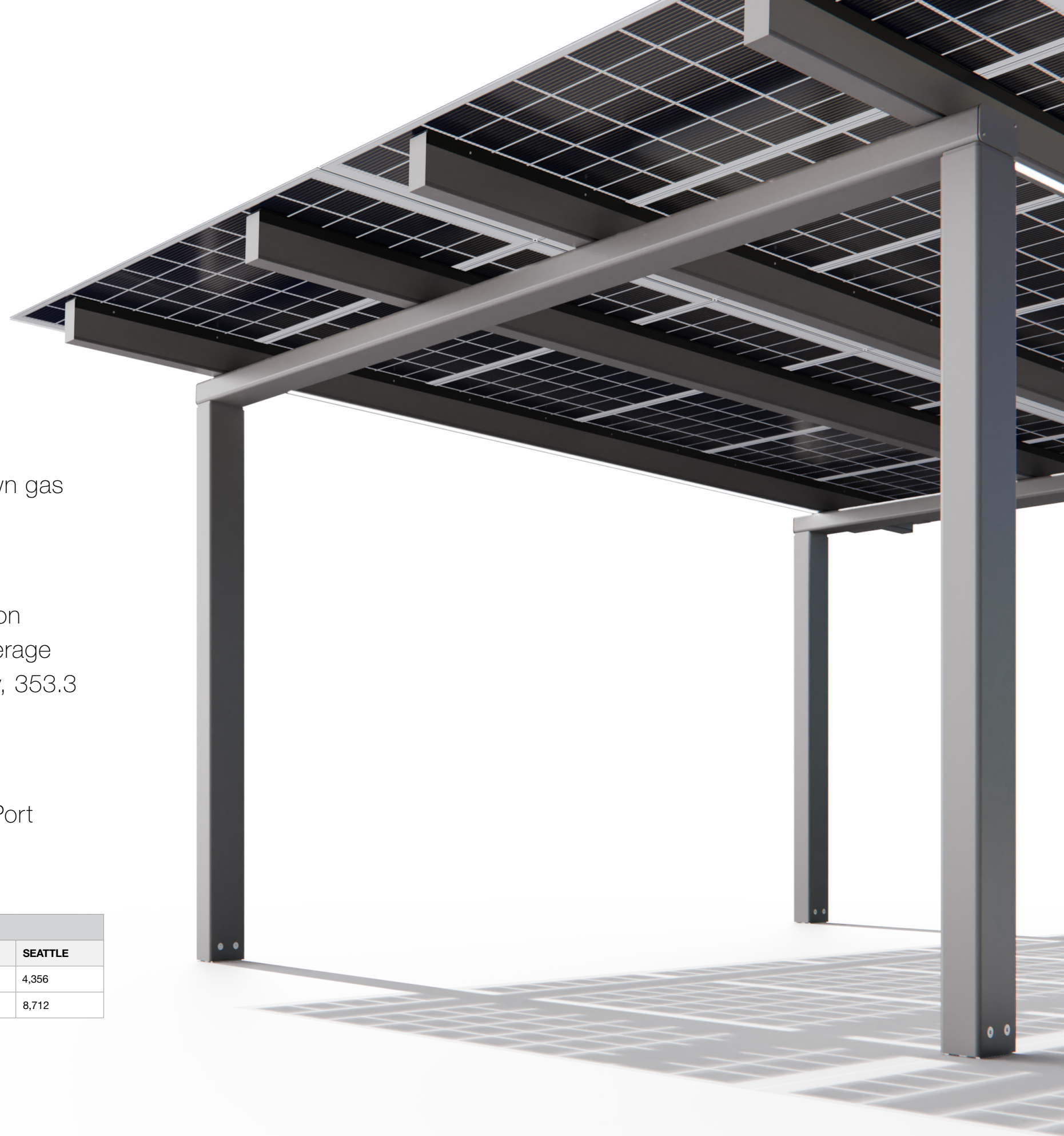


SolarPort

Free fuel for life



System Overview

The **SolarPort** changes everything. A **SolarPort** is like having your own gas pump where the fuel is free, never runs out and has no emissions.

According to the US Department of Transportation, Americans drive on average, 13,476 miles per year, or 36.92 miles per day. Using the average EV's energy consumption, this translates to about 11.81 kWh per day, 353.3 kWh per month and 4,310.65 kWh per year.

Check out the table below to get an idea how much energy a **SolarPort** will produce at your location

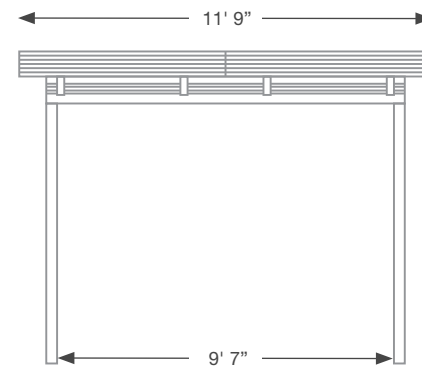
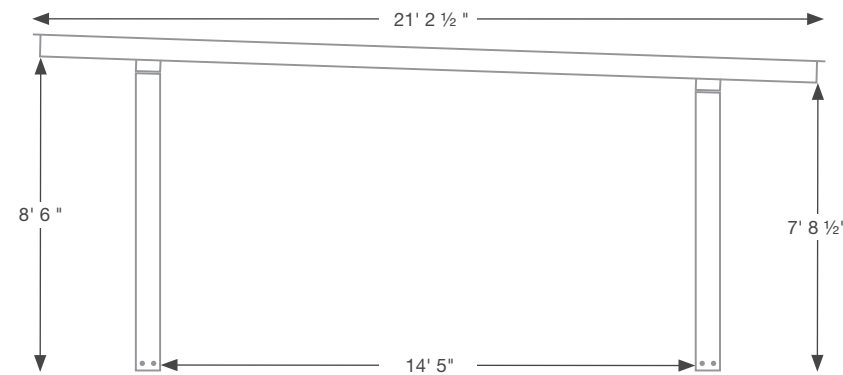
ESTIMATED ANNUAL PRODUCTION (KWH)								
	SYSTEM SIZE (W)	LOS ANGELES	MIAMI	DENVER	AUSTIN	ATLANTA	BOSTON	SEATTLE
SolarPort Single	4,260	6,749	6,398	6,286	6,042	5,770	5,174	4,356
SolarPort Double	8,520	13,498	12,796	12,572	12,084	10,348	10,348	8,712

A **SolarPort** can produce all of the energy you need to drive just from the sun. How cool is that?

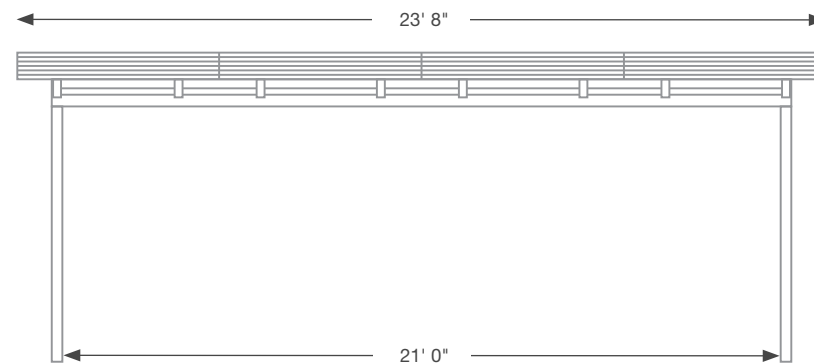
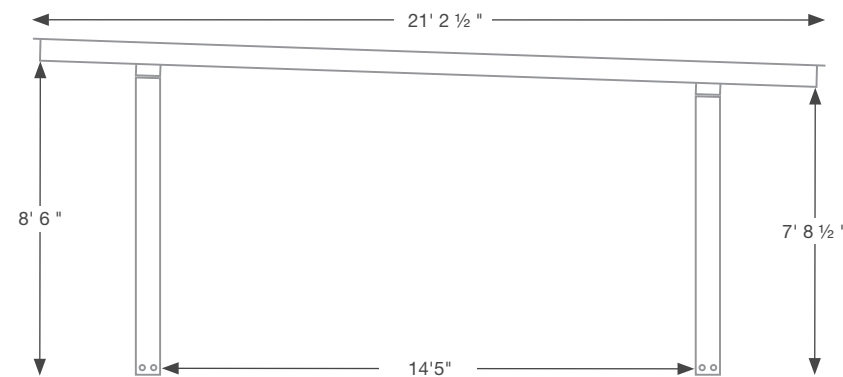
Structural Configurations

The **SolarPort** is way more than just a solar array to charge your EV, it is also a beautiful free standing solar structure that provides a weatherproof cover for your car. The **SolarPort** comes standard with integrated LED lighting, leveling feet and is available in Single and Double car configurations.

SolarPort Single



SolarPort Double



DETAILS

SolarPort Single: (12) Vision S60 355W Modules
System Size 4.26kW

SolarPort Double: (24) Vision S60 355W Modules
System Size 8.52kW

INCLUDES

- Integrated LED lighting
- Integrated leveling
- Optional gutter and downspout

MATERIAL & FINISH

- Steel
- Powder Coat

COLOR

- (3) Standard colors available

System Details

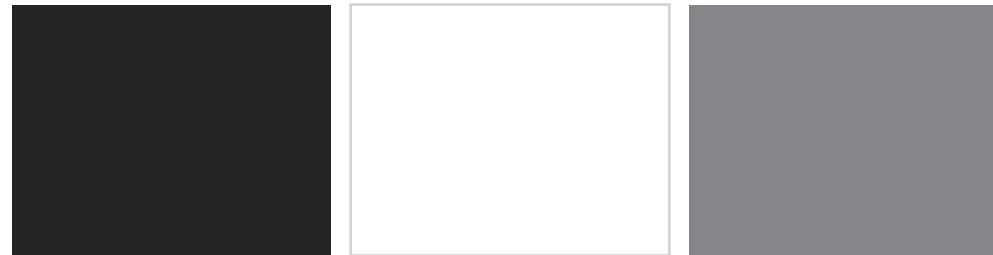
SolarPorts are precision fabricated structures that are built to last and look and work great for many years.

CONSTRUCTION



- Powder coated steel construction
- All components CNC milled for precision fit
- All welds completed by certified welders

CUSTOMIZATION



- (3) Standard colors available

LIGHTING



- Integrated outdoor rated LED lighting