

## SolarStop FAQ

### How much does the SolarStop cost?

	Price
SolarStop	\$17,500.00

Options	Price
70" x 49" Double Sided Backlit Sign	\$3,400.00
Bus Shelter Weatherproof Panel (Glass or Metal)	\$1,573.00
Backlit Map Sign	\$500.00
Wifi Hot Spot Integration	\$200.00

Notes: Prices do not include installation or freight

### Volume Discounts

- 12-23 Units: 3%
- 24-35 Units: 5%
- 36+ Units: 7%

### How much does it cost to ship?

Depending on your location, estimated costs are:

\$1200-2000 per unit if shipped individually (LTL or PTL)

\$3000-4000 per full truck load (10 units fit on a 53' flatbed)

## What are your payment terms?

Our payment terms are 50% deposit at time of order and 50% balance prior to shipment. Final payment is due when order is complete. 8-10 week lead time.

## How is the SolarStop delivered?

The **SolarStop** is shipped from Denver, Colorado to your location. You will need a forklift to unload the crate onsite or have it delivered to a dock in order to receive.

The dimensions of the crate are 122" L x 48" W x 52" H

The crate weighs approximately 1800 lbs. for the base unit. Each additional glass or metal weatherproofing panel add an additional 175 lbs.

## What is the lead time?

8 -10 Weeks

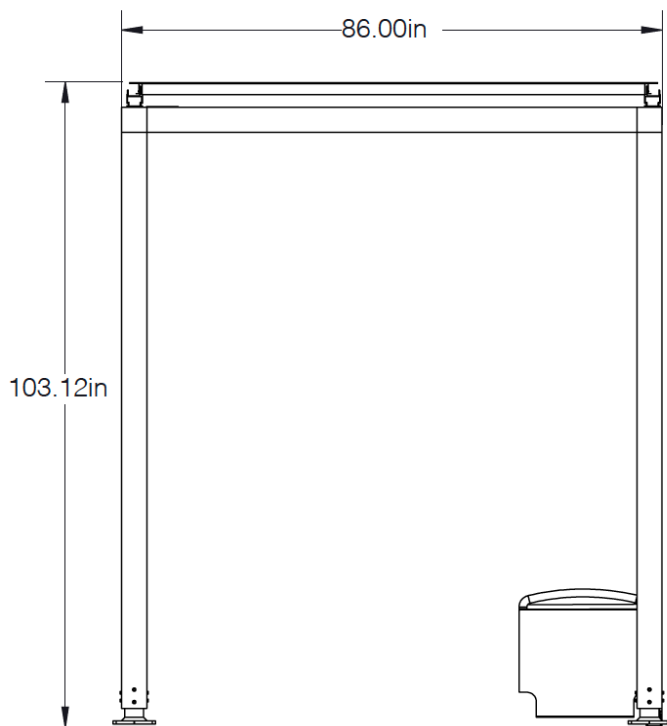
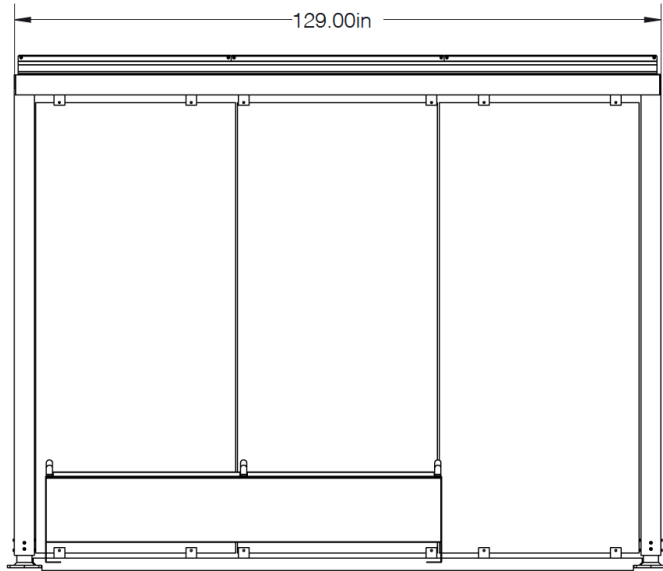
## What is the SolarStop Warranty?

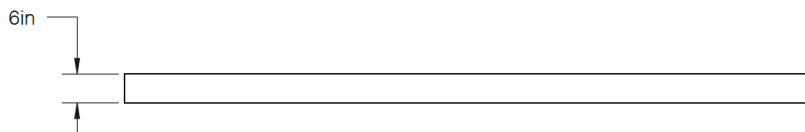
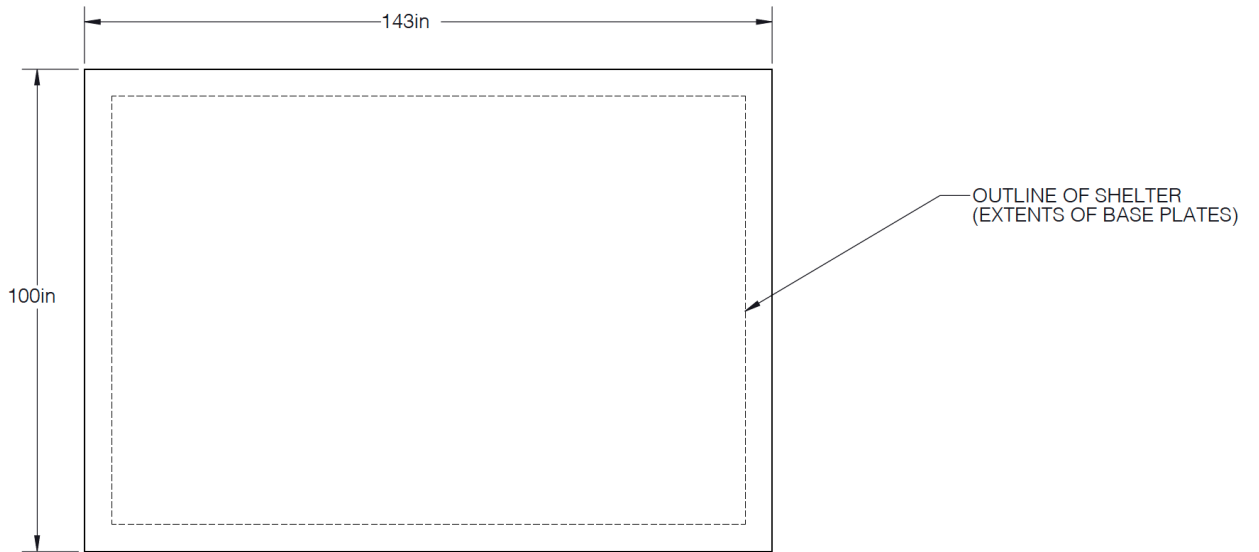
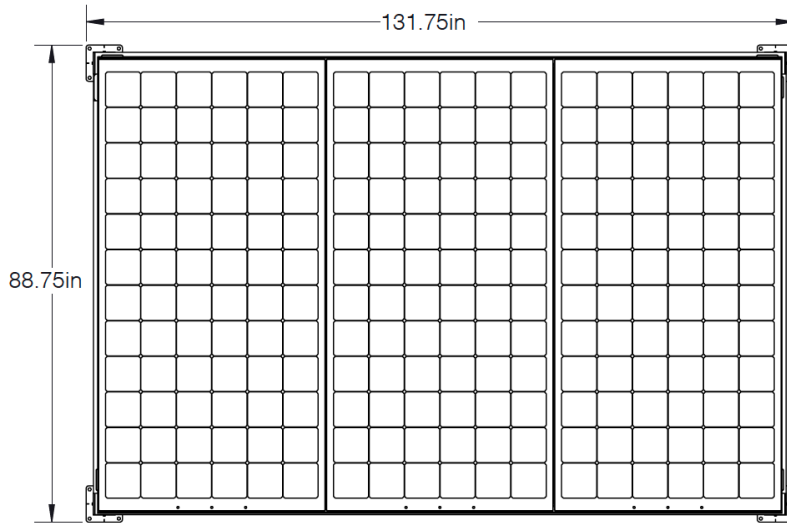
**Modules** 10 Year Workmanship/ 30 Year Power

**Mounting Products** 10 Year Workmanship/ 3 Year Finish

**Electronics** 5 Year Electronics/ 3 Year Battery

## How big is the SolarStop?





## **Is it hard to install?**

The **SolarStop** can be installed by two experienced builders in half a day with proper tools and preparation.

## **Do we need a foundation?**

No foundations are required. The **SolarStop** can be installed on a concrete slab or directly on the ground using a ballast plate solution. We offer anchoring solutions for both applications.

## **Is the SolarStop eligible for the Federal Investment Tax Credit?**

We are solar experts, not tax experts. Tax codes are complicated, so consult your tax advisor before deciding what is best for you. Here is what we do know:

### **Eligibility for residential properties**

If you are installing energy storage on a residential property, it is eligible for a credit under the ITC – as long as the battery is only charged by an on-site renewable energy system like solar. If you don't have solar panels, and plan on charging the battery with electricity from the grid, it isn't eligible for the 26 percent solar tax credit.

### **Eligibility for commercial properties**

If you are installing energy storage on a commercial property, it is eligible for a credit under the ITC as long as the battery is charged by a renewable energy system more than 75 percent of the time. The exact value of the federal tax credit for batteries depends on how frequently the battery is charged by a renewable energy system. To claim the full value, the battery needs to be charged by renewable energy 100 percent of the time. Otherwise, the credit is based on the portion of renewable energy it receives.

## Wind Rating and Snow Load?

Designed for 180 mph wind and 89 psf ground snow load

## Material:

Structure is powder coated aluminum.  
Bench is made from powder coated steel.

## Who will Lumos sell the SolarStop to?

Lumos only sells to contractors, businesses, municipalities, schools or other commercial or institutional entities. Lumos **does not** sell direct to homeowners but will connect them with a Lumos Professional in their area.

## Hotspot

Putting a 4G LTE hotspot inside the cabinet works very well. We have had some issues with T-Mobile hotspots, but none with Verizon or AT&T. We do have a regular AC power strip in the cabinet that you can plug it into.

The only requirement is that the WiFi network it broadcasts must be 2.4GHz. The SolarZone cannot connect to 5GHz WiFi networks. Alternatively, if the hotspot has an Ethernet port on it, you could hardwire the SolarZone's Ethernet port directly to the hotspot. This is really the best option if it's available.

## Web Based Data Monitoring Option

The web based data monitoring needs to connect to an existing 2.4GHz WiFi network. It is not its own hotspot and will not connect to the web absent an existing network.

Other than that, the web-based data monitoring allows the owner to control the SolarStop remotely, to check on its status in real-time, and to acquire historical data on solar production and device usage. Here are a few specific things they can do remotely if they purchase the package (the list is not exhaustive, but these are the high points):

- Turn the plugs & chargers on/off
- Turn the lights on/off (otherwise they will operate on a photosensor & timer)
- Get notified if there are any errors, such as low battery or inverter overload
- See how charged the battery is at any time
- See how much solar energy has been produced by the device